

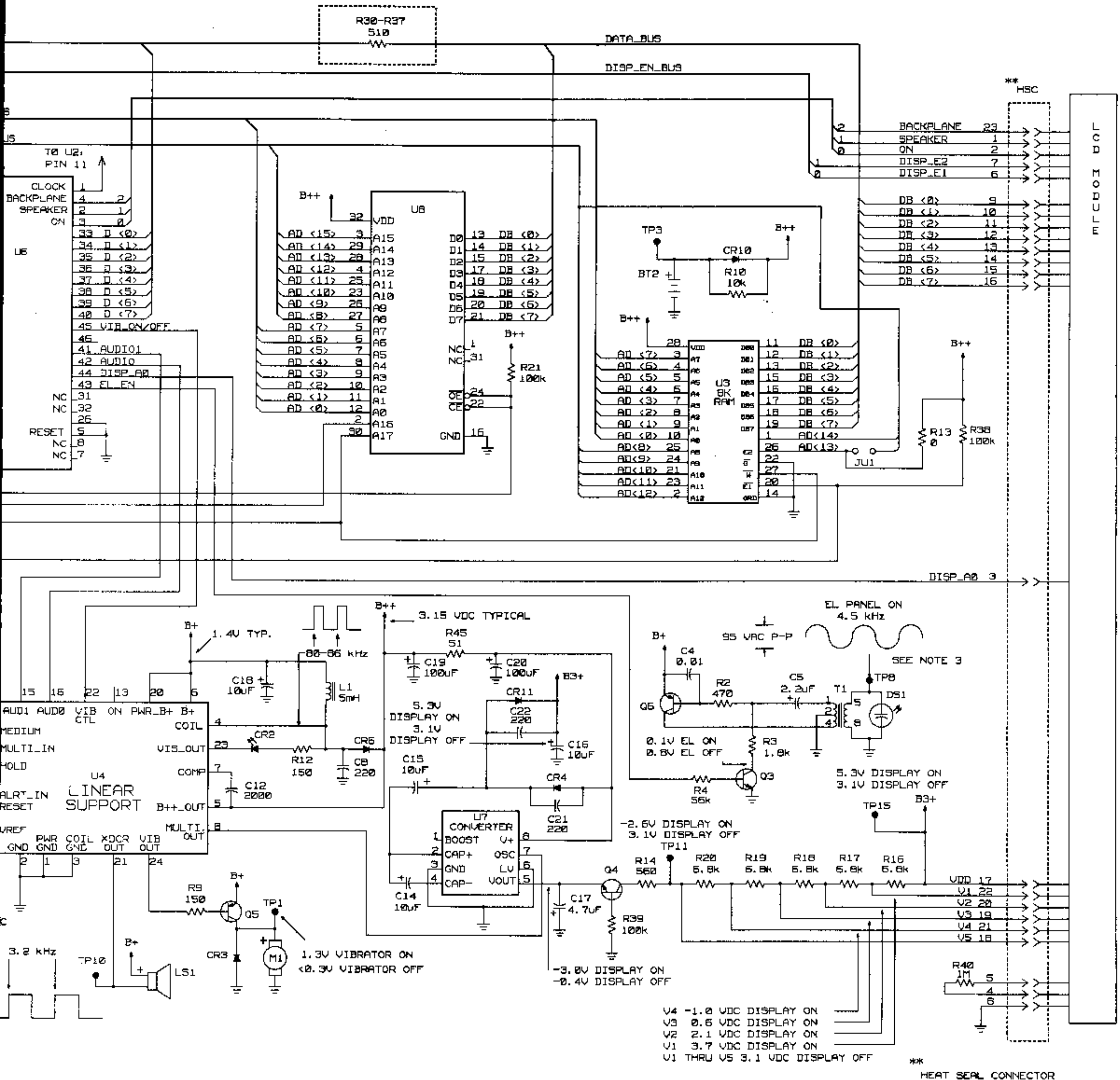
NOTES:

* REFER TO ELECTRICAL PARTS LIST FOR VALUE AND DESCRIPTION.

1. RESISTANCES ARE IN OHMS (k=1000, M=MEG OHM). CAPACITANCES LESS THAN 1 ARE IN MICROFARADS (uF); CAPACITANCES 1 OR GREATER ARE IN PICOFARADS (pF).

2. T1 = 6.7 ms 1200 BAUD POCSAG
 T1 = 15.6 ms 512 BAUD POCSAG
 T1 = 3.3 ms 2400 BAUD POCSAG
 T2 = 51 ms 1200 BAUD POCSAG (NO RECEIVER)
 T2 = 115 ms 512 BAUD POCSAG (NO RECEIVER)
 T2 = 25 ms 2400 BAUD POCSAG (NO RECEIVER)

3. ELECTROLUMINESCENT (EL) VOLTAGE MEASURED SOLDER CONTACT. VOLTAGE AND FREQUENCY VAR WITH BATTERY.

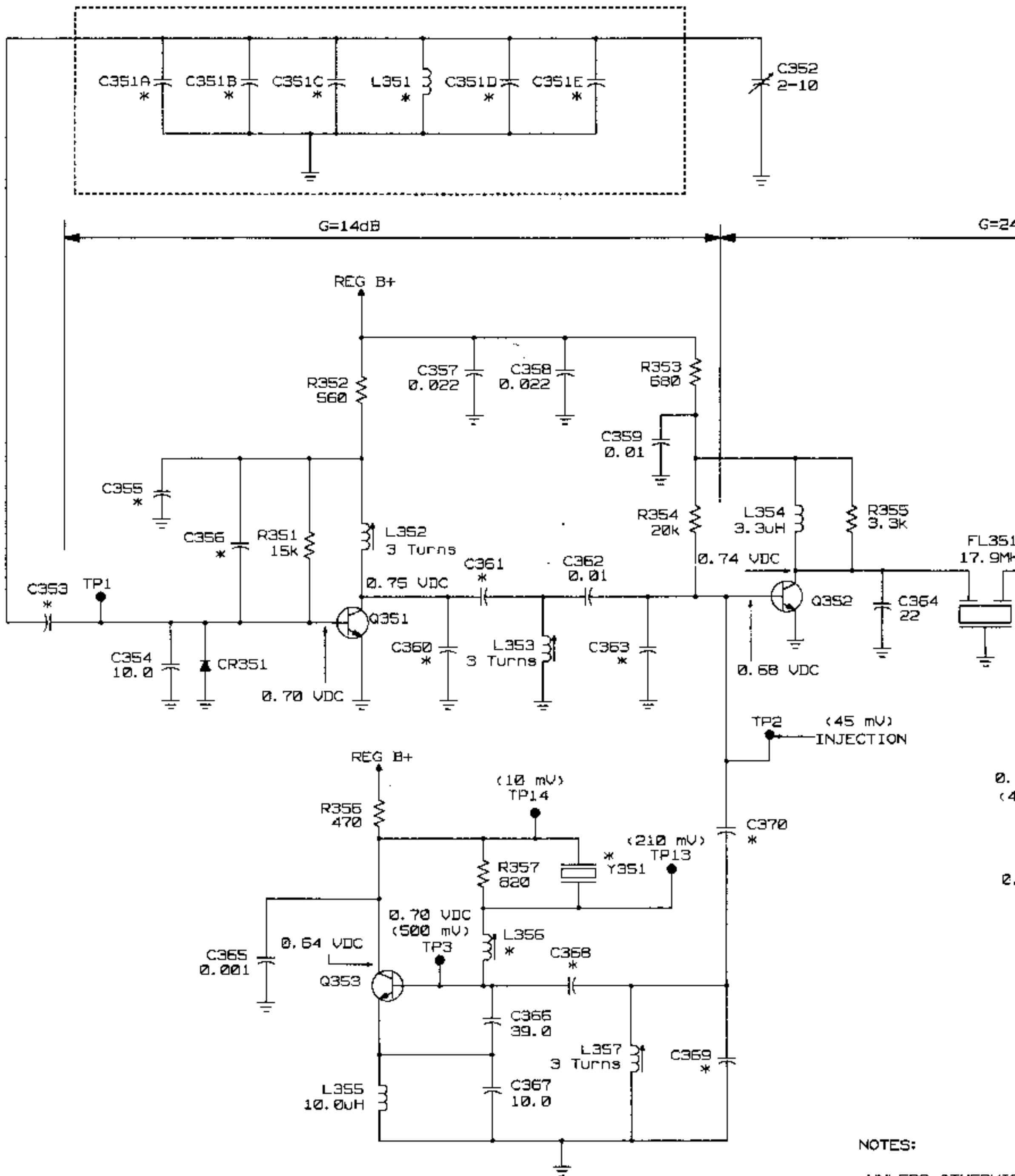


4. DURING NORMAL OPERATION THIS LINE IS SWITCHING BETWEEN SLOW AND FAST MODE. AT SLOW MODE, THE WAVEFORM IS A SQUAREWAVE; AT FAST MODE, THE WAVEFORM IS A SINEWAVE. TO MEASURE IN FAST MODE, THE DISPLAY MUST BE ON.

** HEAT SEAL CONNECTOR

DGDB-940534-0
 OL-DGDB-940535-0

E351 ANTENNA ASSEMBLY



NOTES:

- UNLESS OTHERWISE SPECIFIED
- 1. RESISTANCES ARE IN OHMS UNLESS OTHERWISE SPECIFIED
- RESISTANCES LESS THAN 100 OHMS TO BE SPECIFIED IN OHMS OR GREATER THAN 100 OHMS TO BE SPECIFIED IN K OHMS
- * REFER TO ELEMENT VALUE LIST FOR VALUES AND DIMENSIONS

